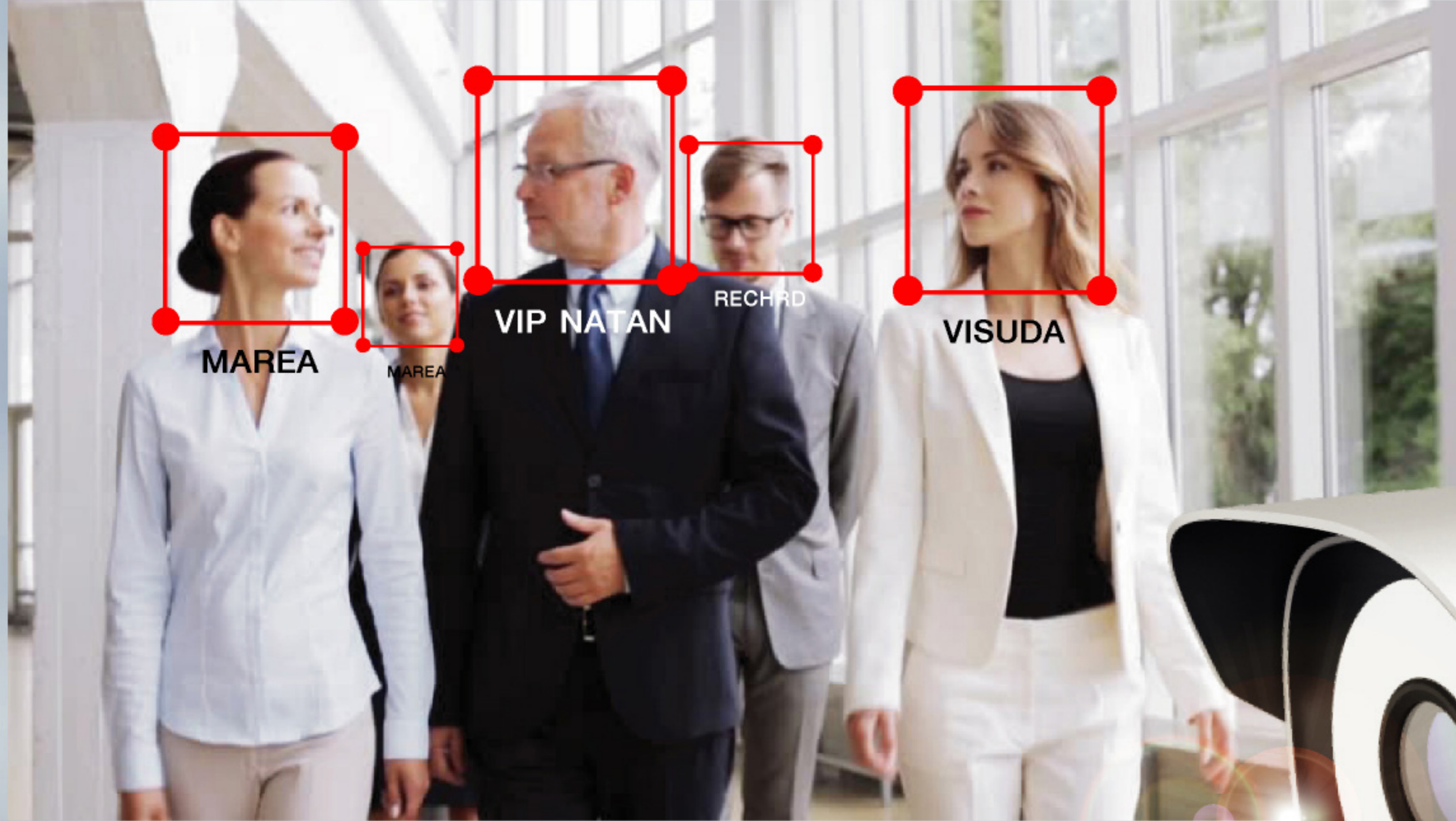


HIP

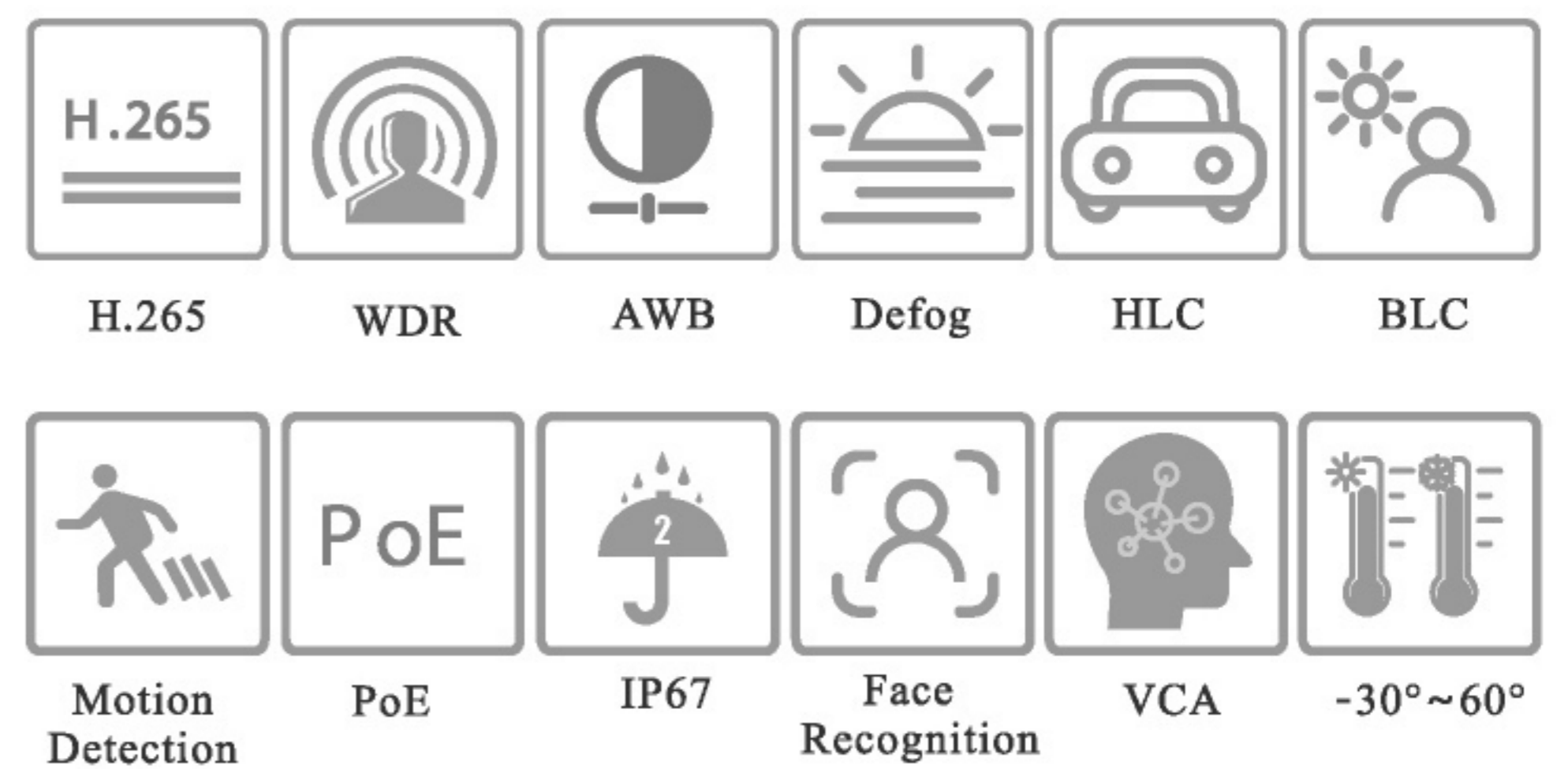
2MP HD Face Recognition Network Camera



CMTV923 Face Recognition



- Starlight, area light
- 1080P (1920 x 1080) @30fps
- Support SMART H.265/H.264 coding
- 10m white light view distance; motorized zoom lens
- 3D DNR, true WDR, HLC, BLC and ROI coding
- Built-in micro SD card slot, up to 256GB
- 1CH audio input; 1CH audio output
- DC12V/PoE power supply
- Support face exposure
- P2P function optional
- Support three streams
- Support mobile surveillance by smart phones or tablet PCs with iOS and Android OS
- Intelligent analytics: abnormal video signal detection (scenechange, video blur detection, video color cast detection), face detection, face capture, face match



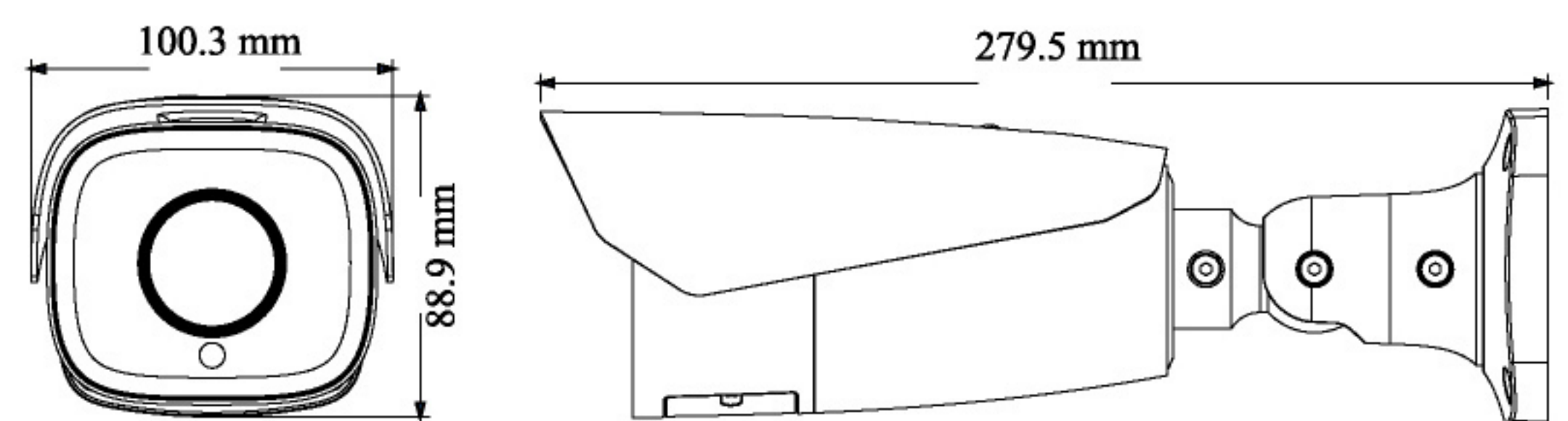
SPECIFICATIONS

Specifications	Model	CMTV923 Face Recognition
Camera		
Image Sensor		1 / 2.8 "CMOS
Image Size		1920 × 1080
Electronic Shutter		1 / 25 s ~ 1 / 100000 s
Iris Type		DC-IRIS
Min. Illumination		0.0026 lux@F1.2, AGC ON; 0 lux with LED 0.005 lux@F1.6, AGC ON; 0 lux with LED
Lens		7~22mm@F1.6, motorized; Recommended face capturing distance: 4~10m
Field of View		Horizontal: 44°~17.6°; Vertical:25.6°~10°; Diagonal: 49.7°~20.2°
Lens Mount		Ø14
Wide Dynamic Range		120dB
BLC		Yes
HLC		Yes
Defog		Yes
Digital NR		3D DNR
Angle Adjustment		Pan: 0°~360°; Tilt:0°~90°; Rotation: 0°~360°
Image		
Video Compression		Main stream: Smart H.265 / H.265+ / H.265 / Smart H.264 / H.264+ / H.264 Sub stream: H.265+ / H.265 / H.264+ / H.264 / MJPEG Third stream: H.265+ / H.265 / H.264+ / H.264 / MJPEG
H.264 Compression Standard		Baseline Profile/Main Profile/High Profile
Resolution		1080P (1920 × 1080), 720P (1280 × 720), D1, CIF, 480 × 240
Main Stream		60Hz : 1080P/ 720P (1 ~ 30fps); 50Hz : 1080P/ 720P (1 ~ 25fps) HFR mode: 1080P/720P (60Hz: 1~60fps; 50Hz: 1~50fps)
Sub Stream		60Hz : 720P/D1/CIF (1~30fps); 50Hz:720P/D1/CIF (1~25fps)
Third Stream		60Hz : D1/CIF/480 × 240 (1~30fps); 50Hz: D1/CIF/480 × 240 (1~25fps)
Bit Rate		64 Kbps ~ 6 Mbps
Bit Rate Type		VBR / CBR
Image Settings		ROI, Saturation, Brightness, Chroma, Contrast, Wide Dynamic, Sharpen, NR, etc. adjustable through client software or web browser
Audio Compression		G711A/U
ROI		Each ROI to be configured separately
Interfaces		
Network		RJ 45
Video Output		No
Audio		1CH audio input; 1CH audio output
Storage		Built-in micro SD card slot, up to 256GB
Reset		Yes
Alarm		1CH alarm input; 1CH alarm output
Functions		
Remote Monitoring		Web browsing, CMS remote control
Online Connection		Support simultaneous monitoring for up to 10 users; Support multi-stream real time transmission
Network Protocol		UDP, IPv4, IPv6, DHCP, NTP, RTSP, RTP, RTCP, ICMP, IGMP, FTP, PPPoE, DDNS, SMTP,SNMP,HTTP, 802.1x, UPnP, HTTPs, QoS
Interface Protocol		ONVIF
Storage		Network remote storage; micro SD card storage
Smart Alarm		Motion detection; Sensor alarm; SD card full; SD card error; IP address conflict; Network disconnection
Intelligent Analytics		Face detection, face capture, face match, video blur detection, video color cast detection, scene change detection
General Function		Watermark, IP address filtering, video mask, heartbeat, password protection, non-photosensitive switch, face exposure
PoE		Yes (802.3af)
LED View Distance		10 m soft light
Ingress Protection		IP 67
Face Detection		
Face Detection		Pupil distance of a facial image over 20 pixel can be detected
Face Capturing		By precise detecting, tracing, capturing, scoring and screening the moving faces to get the most effective face snapshots
Panorama Capturing		Support panorama capturing and self-defined information overlay, like device ID, time, etc.

Intelligent Light Compensation	Built-in high efficient white light LEDs, time switch available
Face Picture Database	10000 face pictures
Database Management	Add, modify, delete and search face pictures
Face Picture Adding	Add face pictures through WEB and Face Album Manager Tool
External Face Picture Enrollment	Size: less than 70KB Format: jpg, jpeg
Face Picture Comparison Alarm	Support face trigger modes Support allow list, block list, stranger alarms
Others	
Power Supply	DC12V/PoE
Power Consumption	< 12W
Operating Environment	- 30 °C ~ 60 °C (-22°F~140°F) Humidity: less than 95 % (non-condensing)
Dimensions (mm)	279.5 × 100.3 × 88.9
Weight (net)	Approx. 1.04KG
Installation	Wall mounting; ceiling mounting
Certificate	CE, FCC
Environmental Protection	Complies with Directive EU RoHS, WEEE(2012/19/EU), directive 94/62/EC and REACH(EC1907/2006)



DIMENSIONS



AVAILABLE ACCESSORIES

