

HIC-WB5L1

Product Specifications



Product Overview and Features

Product Overview

SWG5L1 is a cost-effective wireless bridge that is particularly suitable for elevators, outdoor 1 km access scenarios, with strong penetration and anti-interference capabilities to ensure stable system operation.

Product Features

Supports intelligent channel analysis, automatic optimal channel selection, and a maximum speed of 900Mbps.

The product supports universal relay mode and AP mode, making it suitable for a wider range of user application scenarios.

Built-in 12dBi directional antenna, can meet wireless transmission within 1KM, and can achieve point-to-point, point-to-multi-point outdoor coverage and applications.

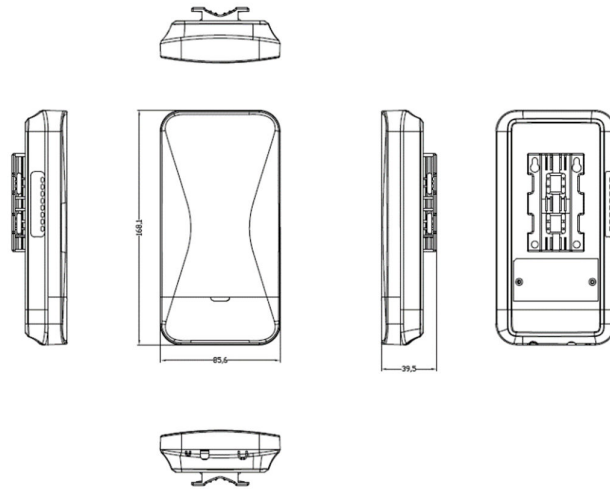
Supports one-click pairing.

Supports both PoE power supply and DC 12V power supply.

Technical Parameters

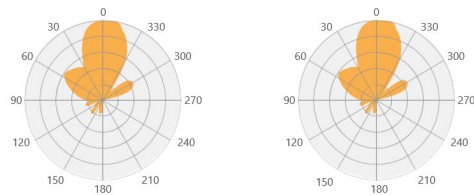
Product model	HIC-WB5L1
CPU	MT7628DAN+MT7613AE
Flash	8MB
DDR	64MB
5G frequency band	5.150GHz ~ 5.850GHz
5G WIFI protocol	802.11 a / n /ac
Maximum speed	900Mbps
Antenna	5.8G directional flat panel antenna, gain: 12dBi
Frequency offset (ppm)	±20ppm
Interface (WAN)	1 10/100M adaptive WAN port, supports 24V POE power supply
Interface (LAN)	1 10/100M adaptive LAN port
Power supply	PoE 24V $\overline{\text{---}}$ 0.5A, DC 12V $\overline{\text{---}}$ 1A
Maximum power consumption	< 5W
RST button	Long press for 10 seconds to restore factory default settings, short press for 1 second to initiate pairing
Slide switch	One-click set master-slave
Status indicator light	SYS light, WAN port light, LAN port light, 5G WIFI light, signal light*4
Dimension	168mm*86mm*39mm
Weight	0.5kg
Working environment	Normal working temperature: -20°C to 55°C; Storage temperature: -40°C to 70°C; Humidity: 5% ~ 95% (non-condensing)
Protection level	IP65
ESD	Air discharge +/-8K, contact discharge +/-4K
Surge	Common mode 2K, differential mode 1K

Product Dimensional Diagram



Antenna Specifications

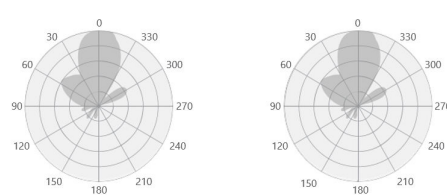
Horizontal polarization



Horizontal beam angle

Vertical beam angle

Vertical polarization



Horizontal beam angle

Vertical beam angle

Built-in antenna	
Working frequency band	5150 ~5850 MHz
Gain	12 dBi
Polarization mode	vertical/horizontal dual polarization
Cross-polarization isolation	21 dBi
Maximum standing wave ratio	<1.5
Horizontal beam angle	30 °
Vertical beam angle	30 °

Accessories List

Host ×1, nylon zip tie ×1, PoE module ×1, screw ×2, manual ×1, certificate of conformity and warranty card ×1.